

# Technical Information

No. FO 4569

Edition: 02/02 - subject to change

Supersedes: Edition 09/01

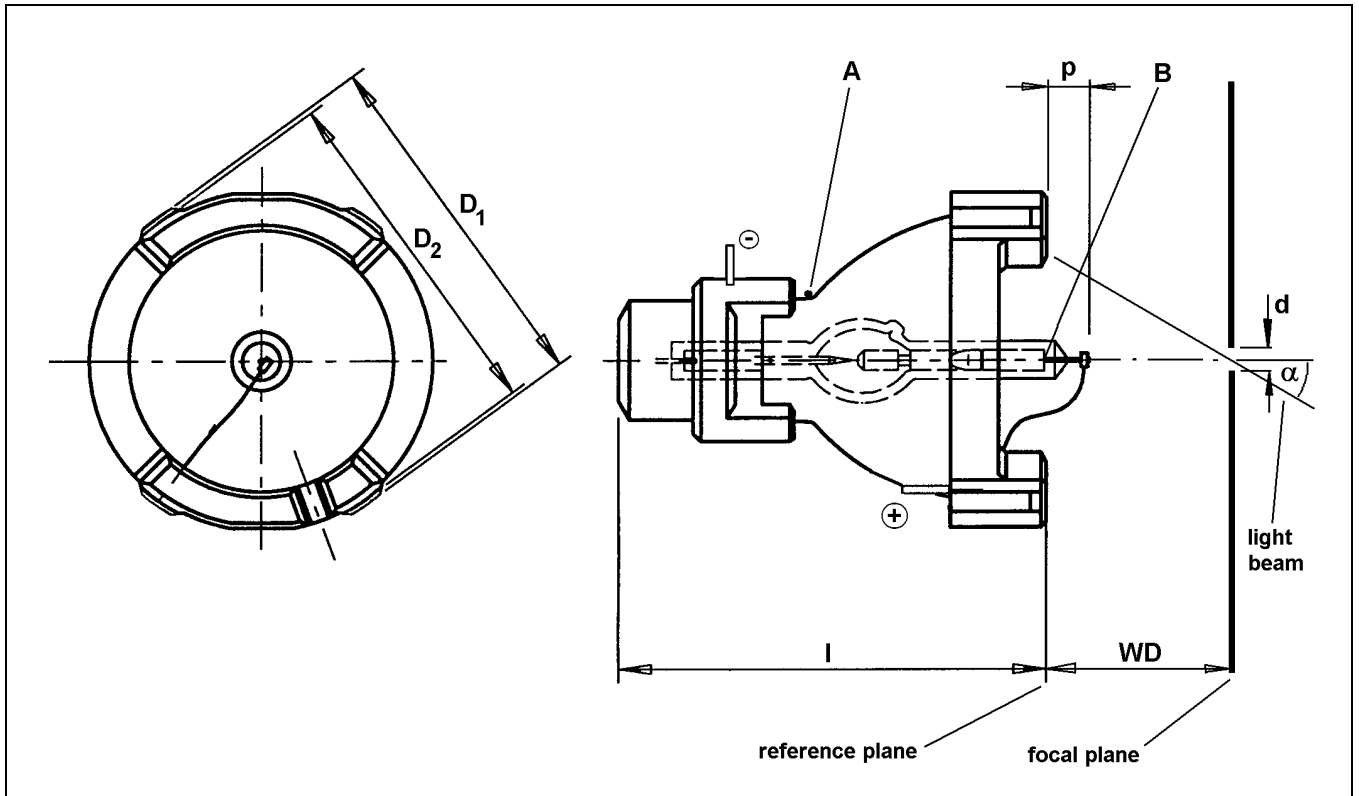
Status: valid

# Xenon Short Arc Reflector Lamp

## XBO<sup>®</sup> R 180 W/45 OFR

### ■ Product description

- Xenon discharge lamp for DC operation
- Short arc, high pressure
- Focussing reflector
- Dichroic coating for suppressed IR-output
- For light guides with up to 8 mm diameter
- Pin connectors
- Ozone-free
- Hot re-strikeable



### ■ Technical data

Rated lamp current	A	12
Rated lamp wattage	W	180
Initial voltage range	V	12.8 - 14.8
Ignition voltage (cold/hot)	kV	max. 20 / max. 20
Colour temperature	K	approx. 6,000
Colour rendering index	R <sub>a</sub>	> 90
Beam-to-axis angle $\alpha$	deg	max. 22.4
Length I	mm	max. 81.5
Length p	mm	max. 9.0
Reflector diameter D <sub>1</sub>	mm	max. Ø 67.0
Diameter D <sub>2</sub>	mm	Ø 64.0 <sub>-0.3</sub>
Electrical connectors		plus pole: pin, Ø 2.0 mm; minus pole: pin, Ø 2.5 mm

## Technical Information

No. FO 4569

Edition: 02/02 - subject to change

Supersedes: Edition 09/01

Status: valid

## Xenon Short Arc Reflector Lamp

# XBO<sup>®</sup> R 180 W/45 OFR

### ■ Performance data at rated current

Working distance WD	mm	45
Initial aperture lumens	lm	• min. 500 at d = Ø 3 mm • min. 1,100 at d = Ø 5 mm
Declared service life <sup>1)</sup>	h	500

### ■ Mounting

Mounting	rim mounting; for details see Technical Information No. FO 4913
----------	---

### ■ Operation conditions

Burning position	horizontal ± 20° (p 20)
Temperature at point A °C	max. 250 allowed; 175 - 200 optimum
Temperature at point B °C	max. 350 allowed; 200 - 250 optimum
Cooling	Forced cooling required, air flow velocity and distribution to be chosen in such a way as to ensure proper temperatures at points A and B
Current operation range A	11.75 - 12.25
Power operation range W	min. 150, max. 210
Polarity	proper polarity to be observed

The XBO<sup>®</sup> R 180 W/45 OFR can either be operated on standard ballasts or on electronic power supplies.

### ■ Additional documentation

- Guidelines for Mounting and Centering of Reflector Discharge Lamps (1); Technical Information No. FO 4913
- Guidelines for Power Supplies and Ignitors for Xenon Short Arc Lamps Photo Optics No. FO GL-3
- Cooling Scheme; Technical Information No. FO 4935

<sup>1)</sup> Operation time after which aperture lumens can decrease to 50% of initial value; switching cycle: 1 hour on / 1 hour off.